

Installation instructions for PZ4AL-2992-00, PZ4AL-2993-00
Under Run Protective Shield Transmission Case

LEXUS IS 200T



IS 200T

Model year:

2015-2016

Applicability:

ASE30L-AEZLZW

Part Number:

Steel: PZ4AL-2992-00
Aluminium: PZ4AL-2993-00



Weight:

Steel: 5.20 kg
Aluminium: 3.47 kg

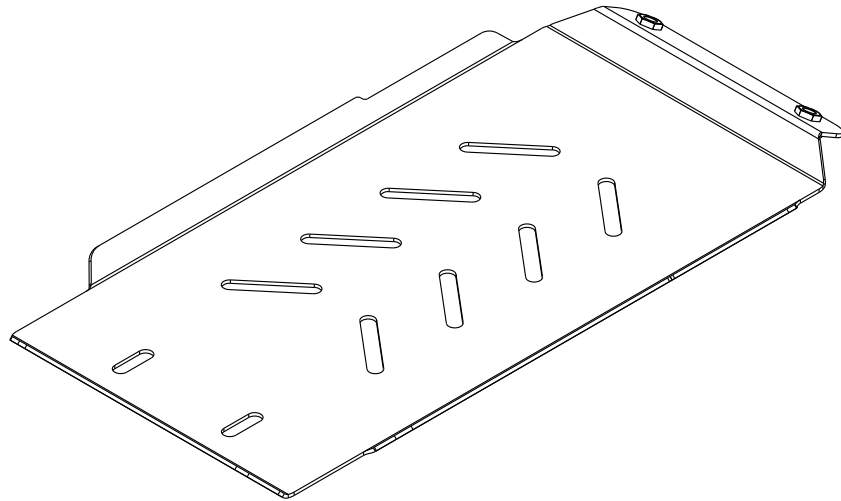


Installation Time:

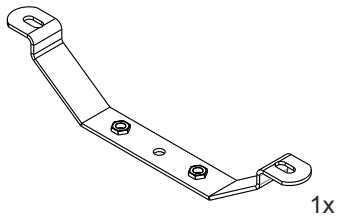
30 min

PZ4AL-02992-00, PZ4AL-02993-00

A



B

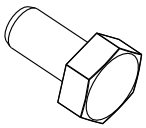


1x

1x

PZ4AL-02992-60

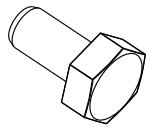
C



M10x1.25x40

2x

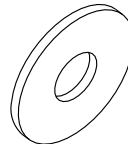
D



M10x25

4x

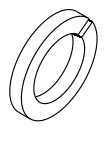
E



d=10

4x

F



d=10

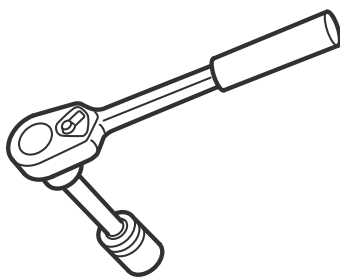
6x

G

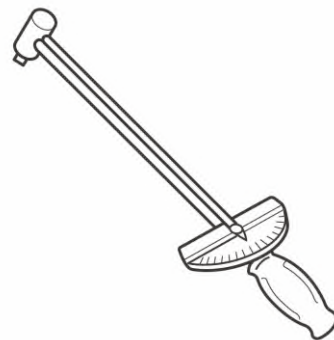


d=10

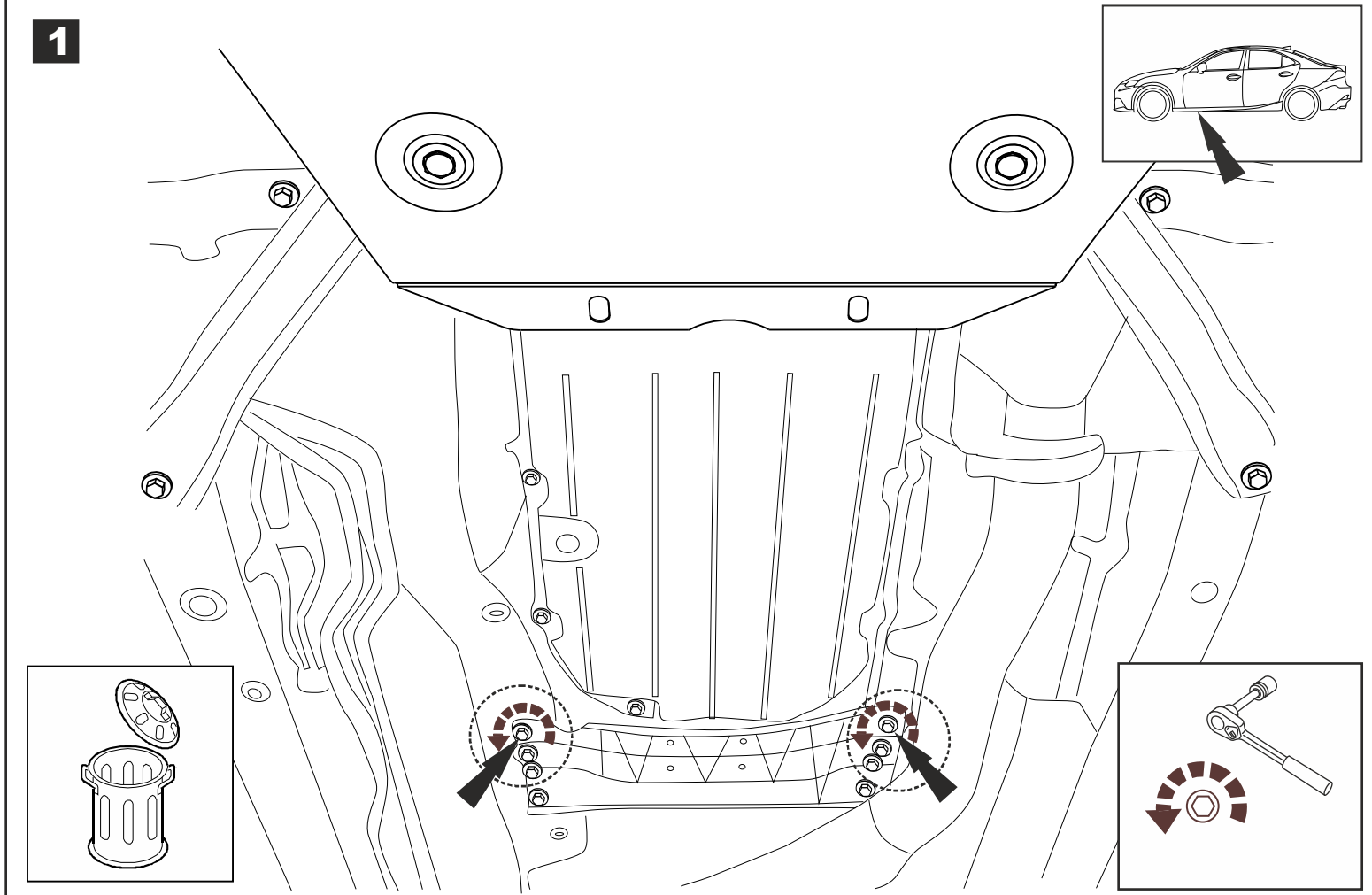
2x



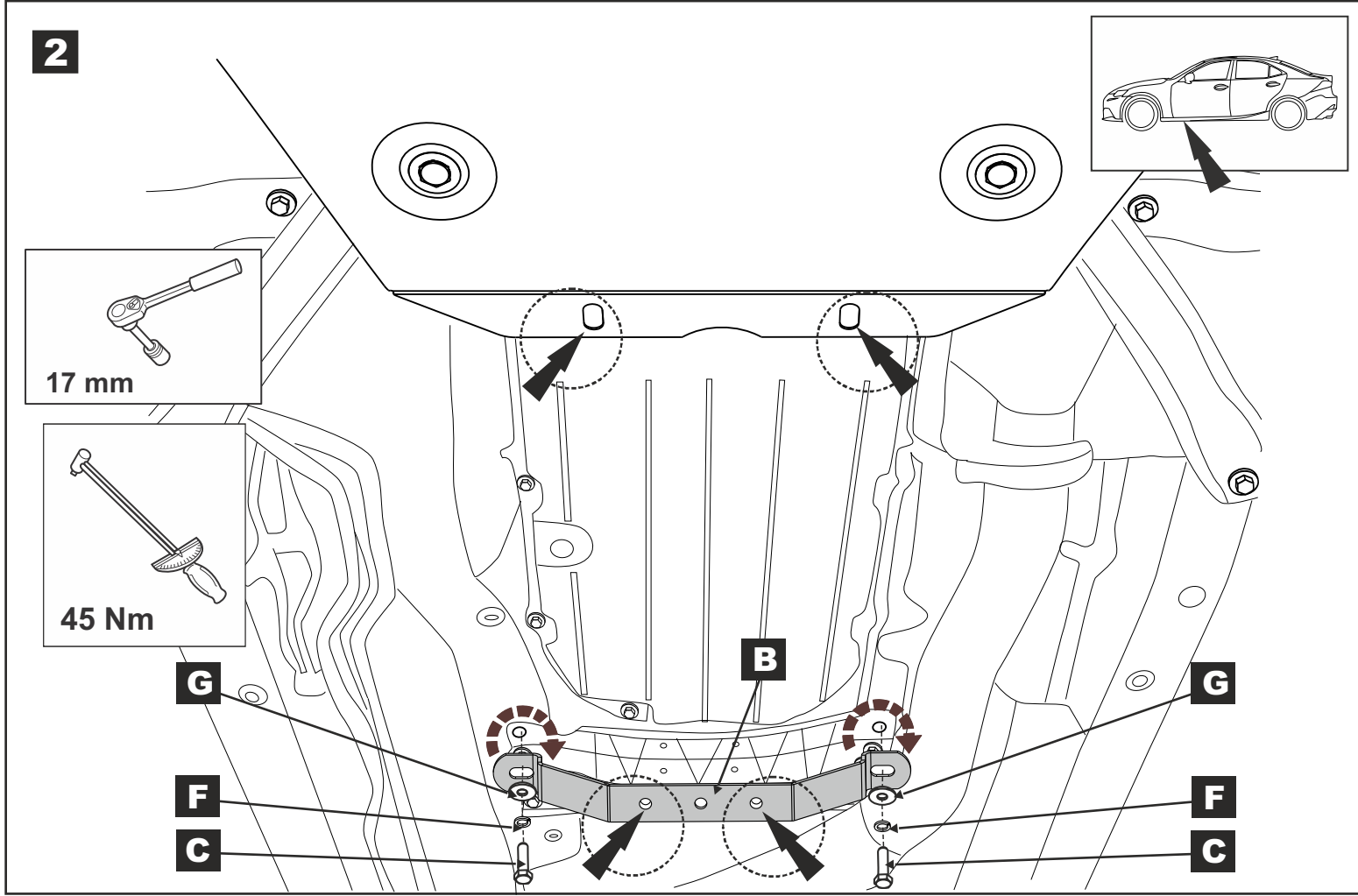
17 mm



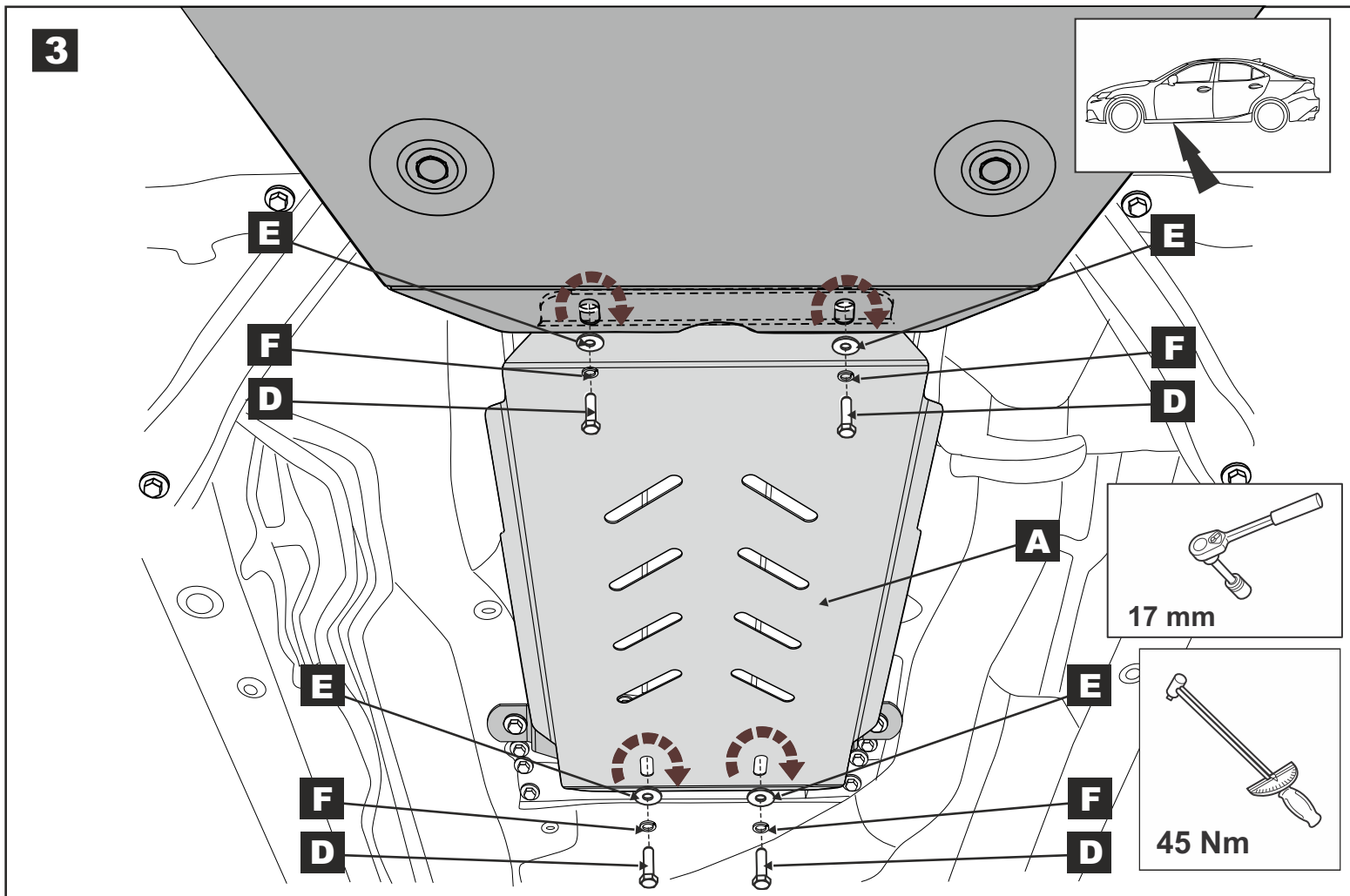
1



2



3



4

